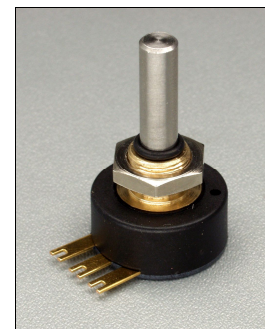


# Precision Wirewound Potentiometer T18

Single and Multiple Version

### Mechanical Data

- 1.1 Housing..... : Plastic
- 1.2 Shaft..... : Stainless steel  $\varnothing 6^{h9}$
- 1.3 Bearing..... : Maintenance-free sliding bearing
- 1.4 Resistor element..... : Precision wire winding
- 1.5 Slider tap / wiper tap..... : Noble metal, single
- 1.6 Housing protection class..... : IP60
- 1.7 Mounted by..... : Central fixing M10 x 0,75
- 1.8 Mechanical rotation angle..... :  $320^\circ +5^\circ$
- 1.9 Electrical rotation angle..... :  $320^\circ -1^\circ +2^\circ$
- 1.10 Rotation speed..... : Max. 60 rpm
- 1.11 Torque..... : According to table
- 1.12 Rotation life-time..... :  $1 \times 10^6$  slider path ( $360^\circ$ )
- 1.13 End-stop strength..... : 50 Ncm



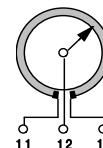
### Electrical Data

- 2.1 Resistance values, standard..... : 1, 2, 5, 10 K-Ohm
- 2.2 Resistance values, max..... : 10 K-Ohm
- 2.3 Resistance tolerance..... :  $\pm 5\%$
- 2.4 Max. starting resistance..... : 1% of total resistance
- 2.5 Linearity tolerance..... :  $\pm 0,5\%$
- 2.6 Insulation resistance..... : 1000 M-Ohm
- 2.7 Test voltage..... : 500 V, 50 Hz
- 2.8 Operating voltage..... : Max. 50 V
- 2.9 Power rating..... : Max. 1,5 Watt
- 2.10 Slider load current..... : 1 mA (max., load life)

### Environmental Conditions

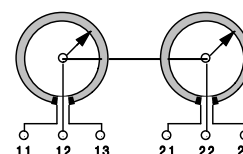
- 3.1 Temperature range..... :  $-40^\circ\text{C}$  till  $+125^\circ\text{C}$
- 3.2 Temperature coefficient..... : 50 ppm/ $^\circ\text{C}$

T18



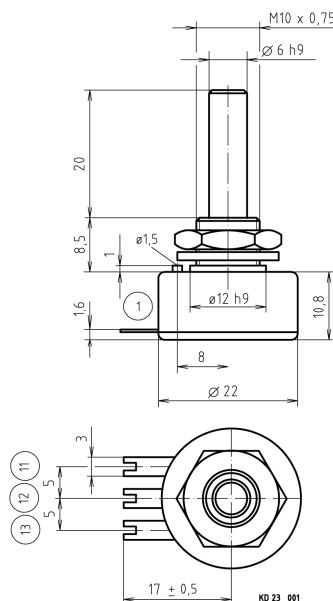
Terminal Plan function right handed		
Point	Function	Colour
11	winding	green
12	slider	white
13	winding	brown

T18 D2

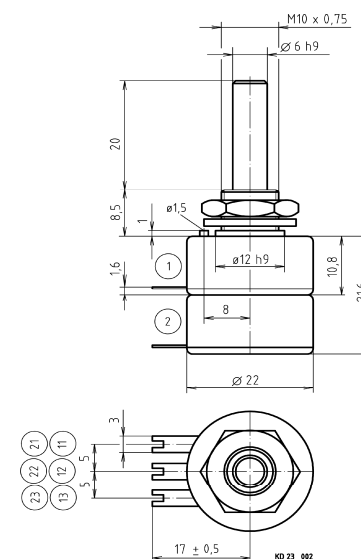


Terminal Plan	
Point	Function
11	winding 1
12	slider 1
13	winding 1
21	winding 2
22	slider 2
23	winding 2

Type: T18  
Standard



Type: T18 D2



Type	Option
T18 Standard up to 100 pcs.	--
T18 Standard as from 100 pcs.	--
T18 D2	--
T18 - 101 up to 100 pcs.	shaft length 12 mm
T18 - 101 as from 100 pcs.	shaft length 12 mm

Shaft protection class	Torque
IP 60 (Standard)	till 1,0 Ncm
IP 65 (Option)	0,2 till 3,0 Ncm
IP 67 (Option)	1,0 till 3,0 Ncm